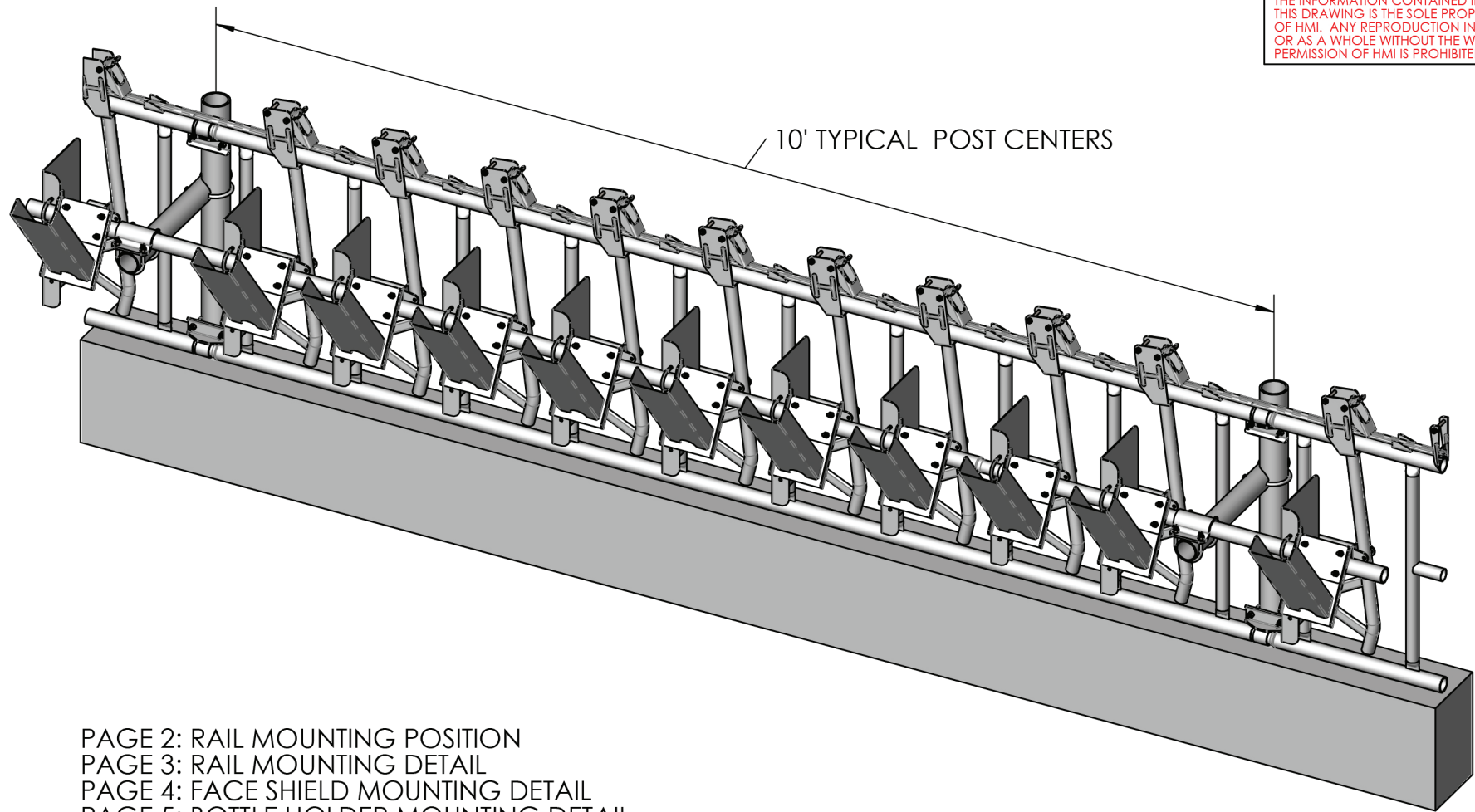


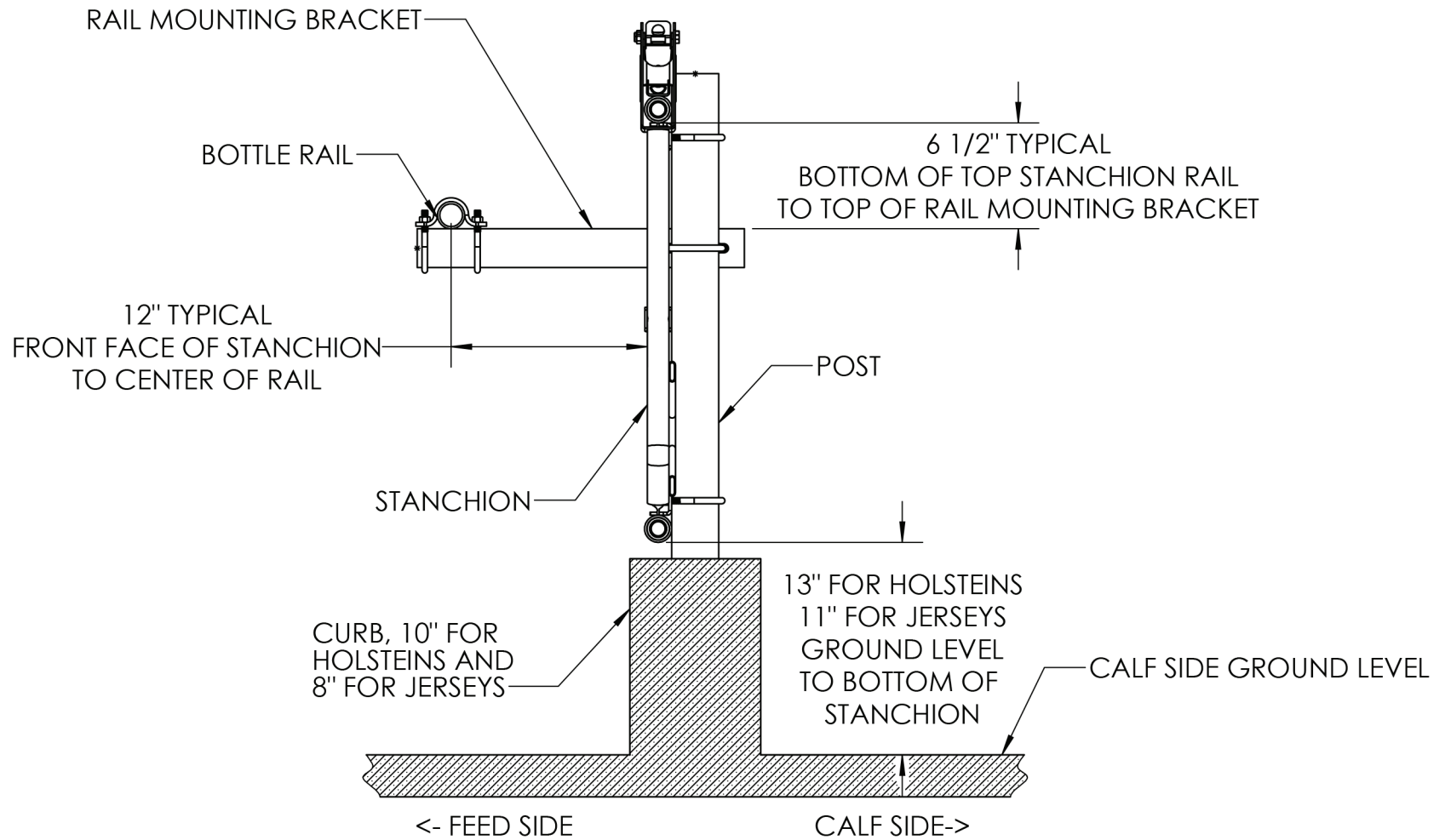
PROPRIETARY AND CONFIDENTIAL
THE INFORMATION CONTAINED IN
THIS DRAWING IS THE SOLE PROPERTY
OF HMI. ANY REPRODUCTION IN PART
OR AS A WHOLE WITHOUT THE WRITTEN
PERMISSION OF HMI IS PROHIBITED.



PAGE 2: RAIL MOUNTING POSITION
PAGE 3: RAIL MOUNTING DETAIL
PAGE 4: FACE SHIELD MOUNTING DETAIL
PAGE 5: BOTTLE HOLDER MOUNTING DETAIL
PAGE 6: BOTTLE HOLDER AND FACE SHIELD PLACEMENT DETAIL
PAGE 7: COMPONENT REFERENCE

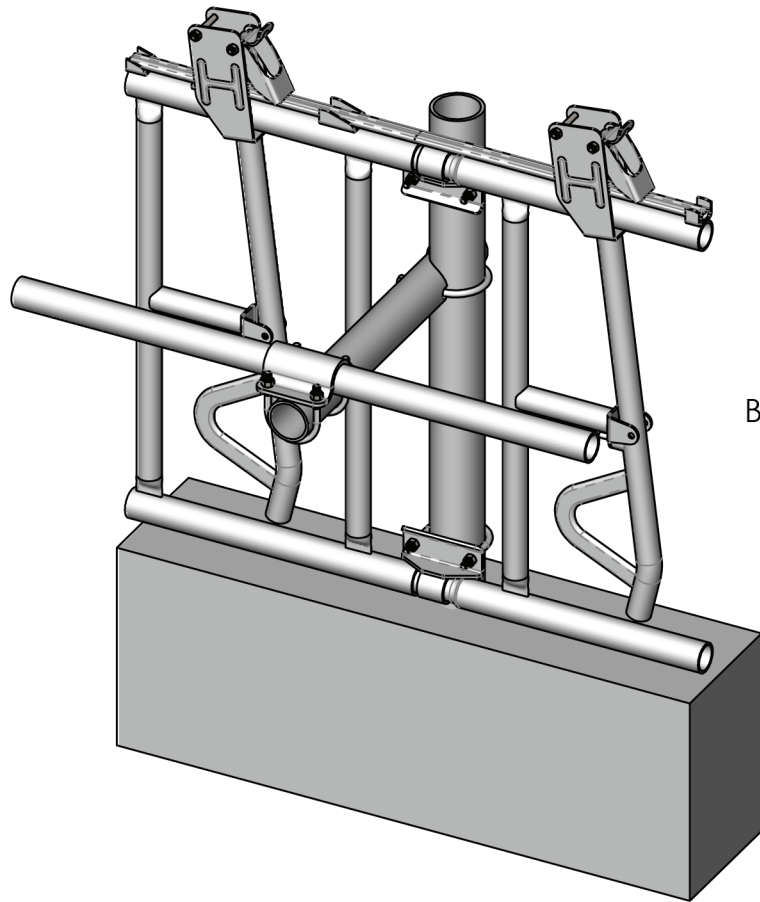
PROPRIETARY AND CONFIDENTIAL
THE INFORMATION CONTAINED IN THIS DRAWING IS THE SOLE PROPERTY OF HMI. ANY REPRODUCTION IN PART OR AS A WHOLE WITHOUT THE WRITTEN PERMISSION OF HMI IS PROHIBITED.

RAIL MOUNTING POSITION

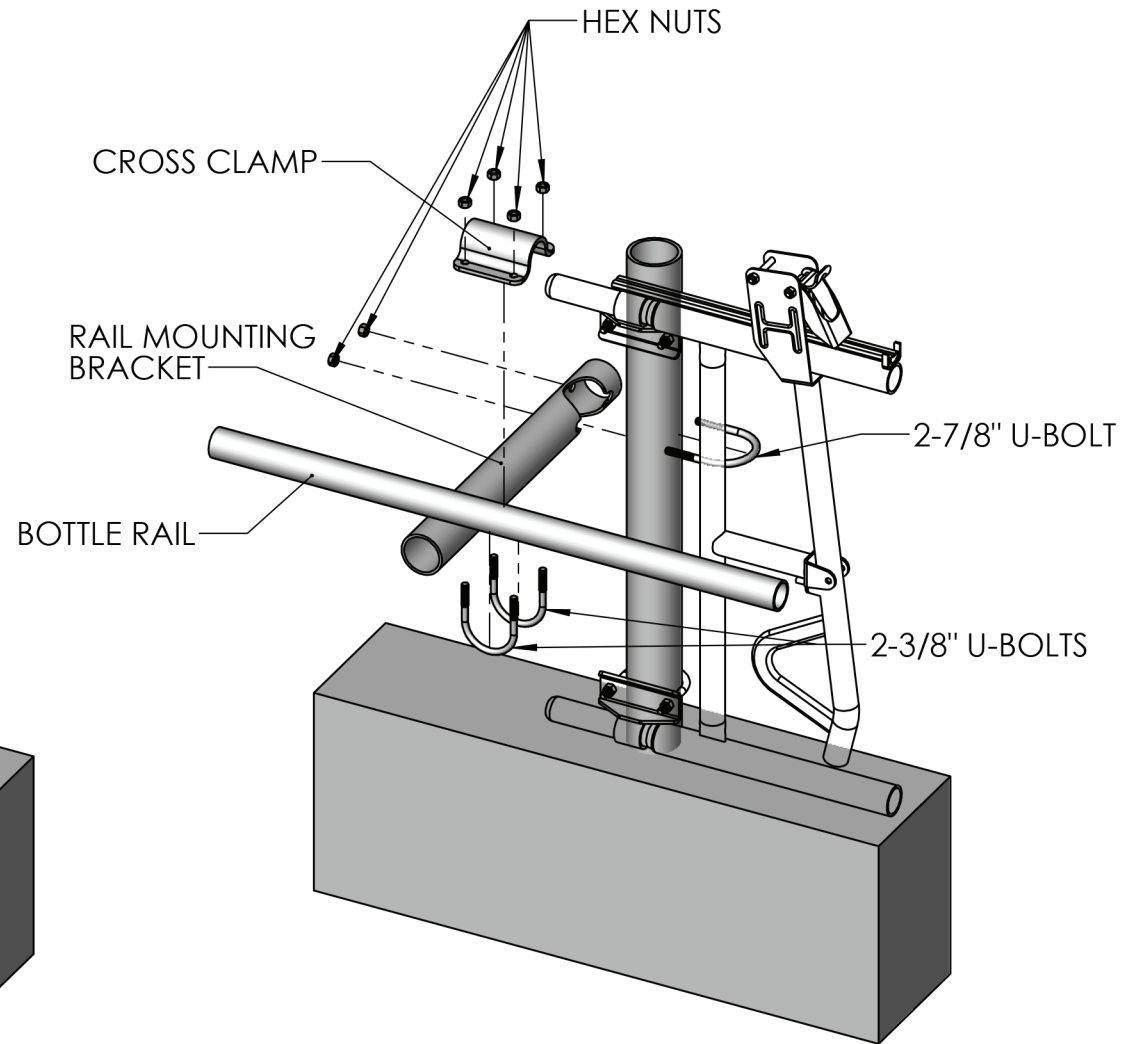


RAIL MOUNTING DETAIL

PROPRIETARY AND CONFIDENTIAL
THE INFORMATION CONTAINED IN THIS DRAWING IS THE SOLE PROPERTY OF HMI. ANY REPRODUCTION IN PART OR AS A WHOLE WITHOUT THE WRITTEN PERMISSION OF HMI IS PROHIBITED.

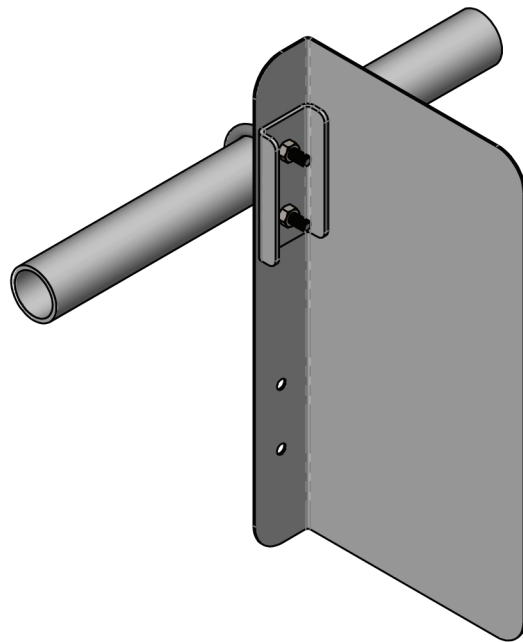


ASSEMBLED RAIL MOUNT

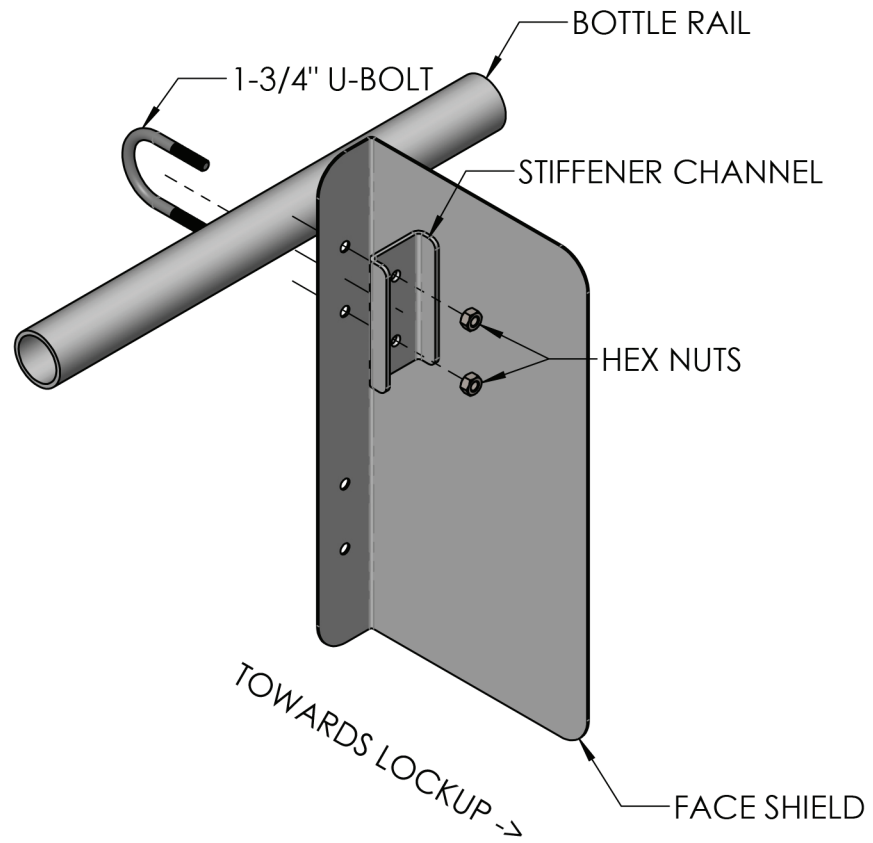


PROPRIETARY AND CONFIDENTIAL
THE INFORMATION CONTAINED IN
THIS DRAWING IS THE SOLE PROPERTY
OF HMI. ANY REPRODUCTION IN PART
OR AS A WHOLE WITHOUT THE WRITTEN
PERMISSION OF HMI IS PROHIBITED.

FACE SHIELD MOUNTING DETAIL

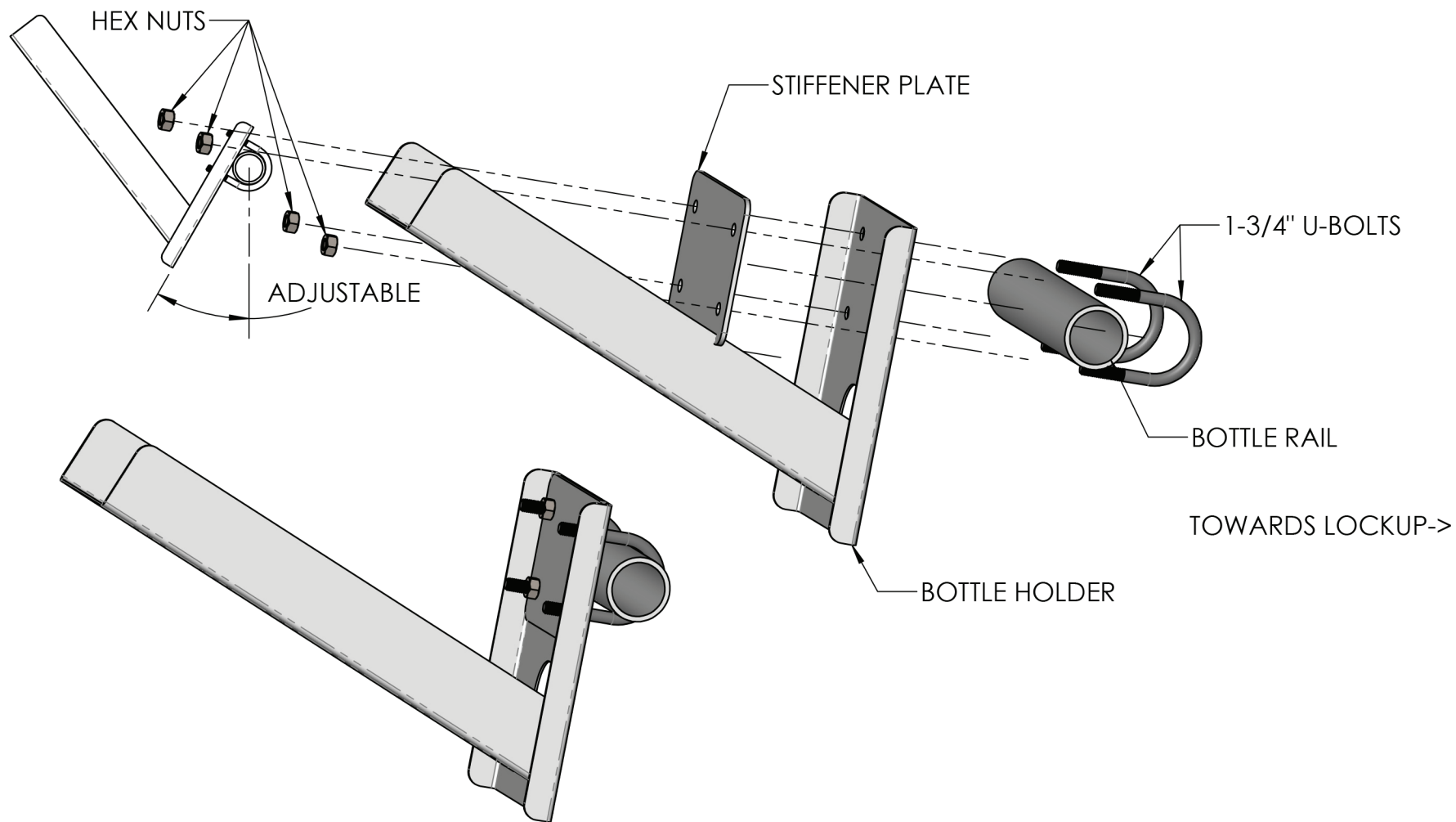


ASSEMBLED FACE SHIELD



BOTTLE HOLDER MOUNTING DETAIL

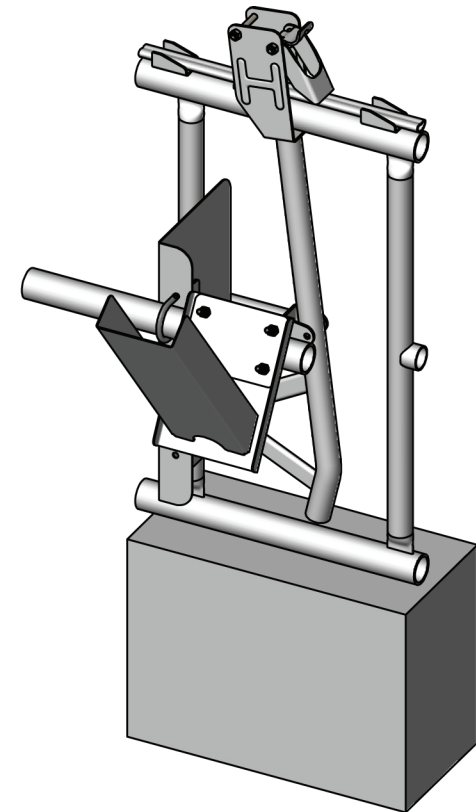
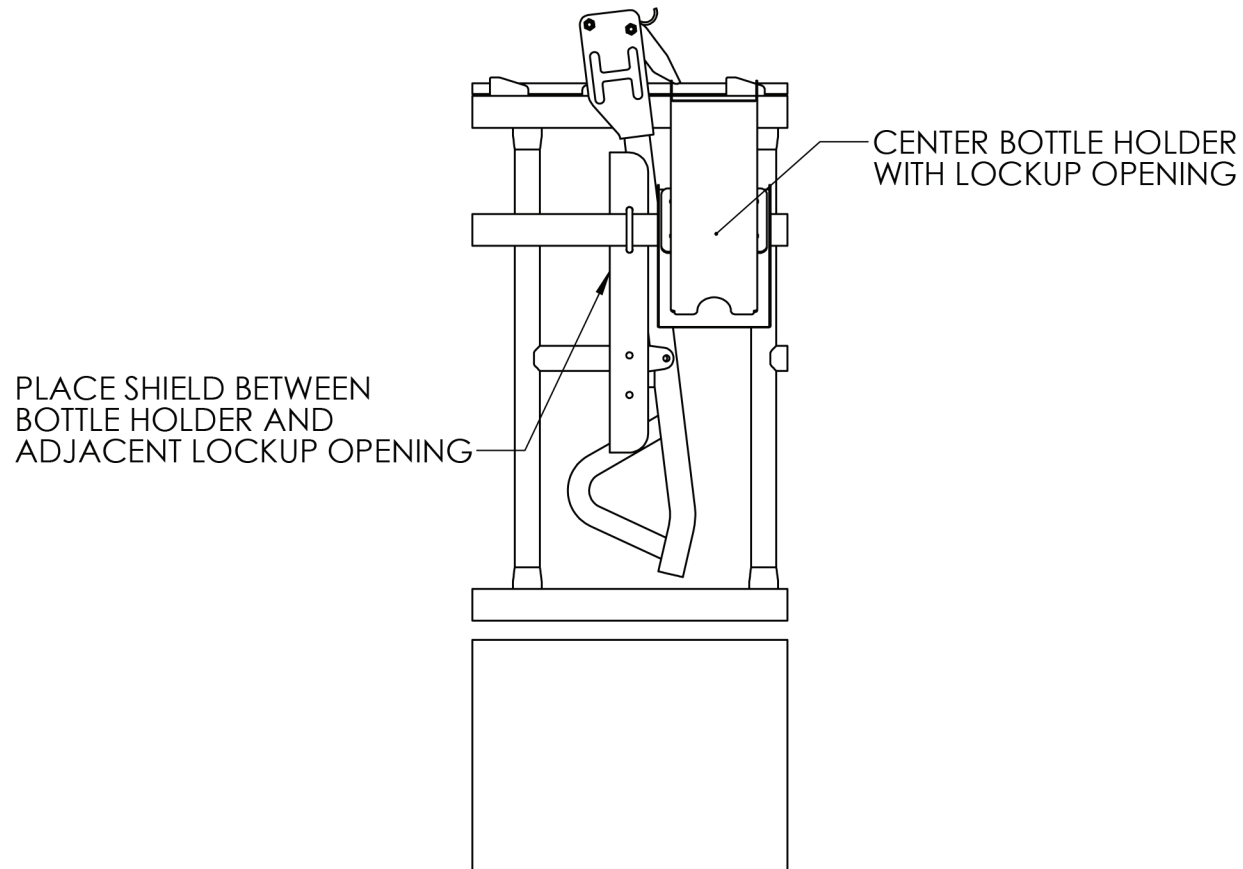
PROPRIETARY AND CONFIDENTIAL
THE INFORMATION CONTAINED IN
THIS DRAWING IS THE SOLE PROPERTY
OF HMI. ANY REPRODUCTION IN PART
OR AS A WHOLE WITHOUT THE WRITTEN
PERMISSION OF HMI IS PROHIBITED.



ASSEMBLED BOTTLE HOLDER

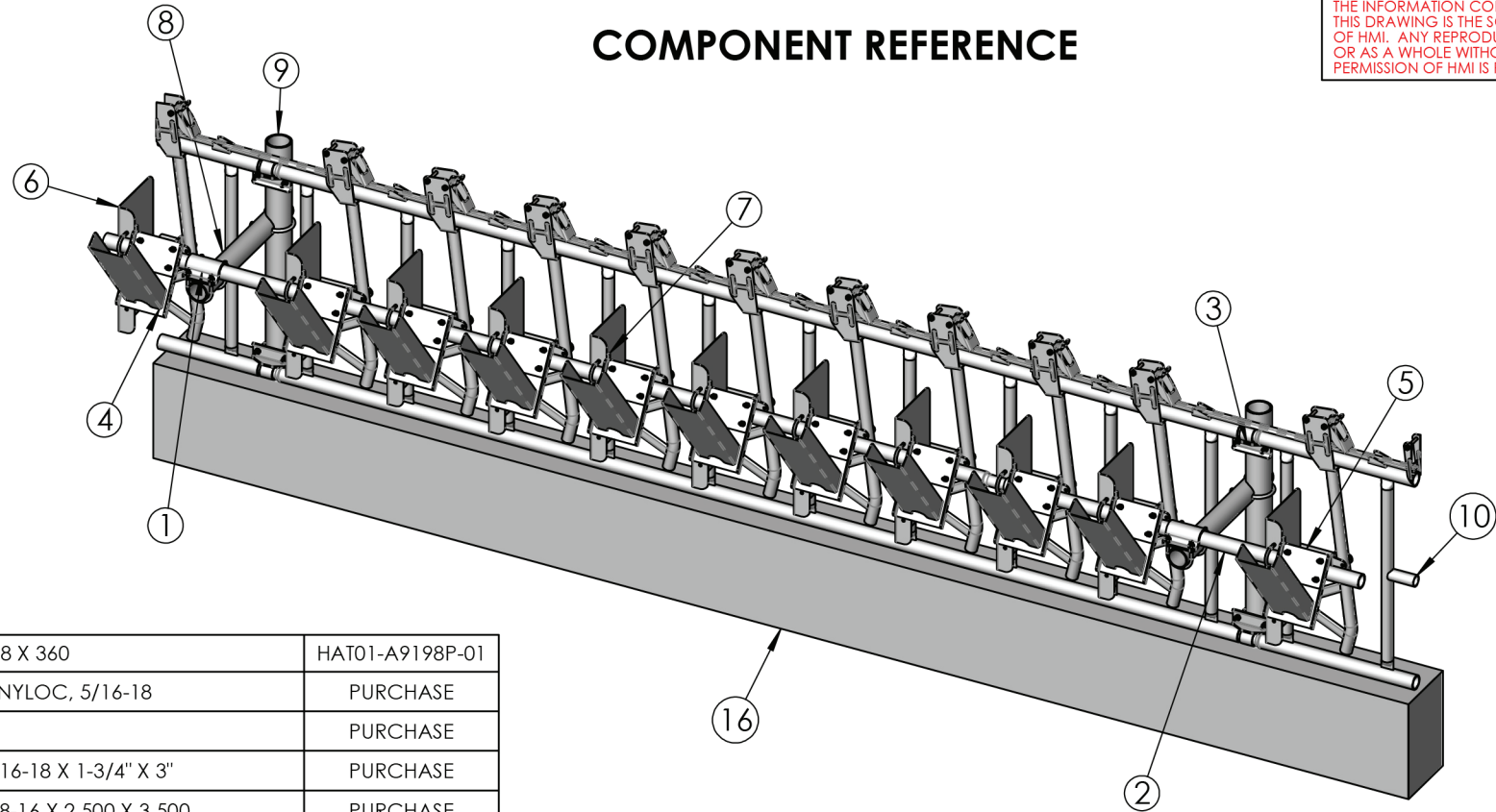
BOTTLE HOLDER AND SHIELD PLACEMENT DETAIL

PROPRIETARY AND CONFIDENTIAL
THE INFORMATION CONTAINED IN THIS DRAWING IS THE SOLE PROPERTY OF HMI. ANY REPRODUCTION IN PART OR AS A WHOLE WITHOUT THE WRITTEN PERMISSION OF HMI IS PROHIBITED.



PROPRIETARY AND CONFIDENTIAL
 THE INFORMATION CONTAINED IN
 THIS DRAWING IS THE SOLE PROPERTY
 OF HMI. ANY REPRODUCTION IN PART
 OR AS A WHOLE WITHOUT THE WRITTEN
 PERMISSION OF HMI IS PROHIBITED.

COMPONENT REFERENCE



16	5	CURB, 8 X 8 X 360	HAT01-A9198P-01
15	216	NUT, HEX, NYLOC, 5/16-18	PURCHASE
14	40		PURCHASE
13	108	U-BOLT, 5/16-18 X 1-3/4" X 3"	PURCHASE
12	8	U-BOLT, 3/8-16 X 2.500 X 3.500	PURCHASE
11	12	U-BOLT, 3/8-16 X 3.000 X 4.000	PURCHASE
10	4	ASSEMBLY, STANCHION, 9-10	HAT01-A9802A-01
9	4	POST, STANCHION, 62"	HAT01-A6004P-01
8	4	BRACKET, MOUNTING, RAIL, BOTTLE, CALF, POST, 2-7/8" O.D.	HAT01-A9791P-01
7	36	CHANNEL, STIFFENING, SHIELD, FACE	HAT01-A6168P-01
6	36	SHIELD, FACE	HAT01-A6167P-01
5	36	PLATE, REINFORCING, MOUNTING, #21, HOLDER, BOTTLE	HAT01-A5785P-01
4	36	ASSEMBLY, HOLDER, BOTTLE, MOUNT, RAIL, 3 QT.	HAT01-A5781A-01
3	8	ASSEMBLY, BRACKET, MOUNTING, LOCKUP, 1.660 OD RAIL, 2.875-3.000 OD POST	HAT01-A1557A-01
2	4	RAIL, FRAME, 1.660 X .135 X 10'	HAT01-A522P-01
1	4	CLAMP, U-BOLT, RAIL, NECK, SOLID, FREESTALL, 1.660 X 2.375 X 6mm, GALVANIZED, DUTY, HEAVY	HAT01-A5269P-01
ITEM	QTY.	DESCRIPTION	PART/CAT. NO.